



# HFC Optical Equipment

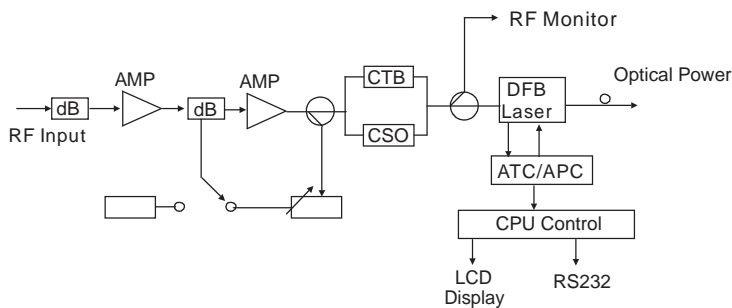
## 1310nm Optical Transmitter BL-1000(OT)



### Features:

- 1.Low Input RF Level;
- 2.ALC/MGC Switch;
- 3.Pre-distortion circuit;
- 4.CPU monitor control the working statuses;
- 5.LCD shows the working status and the alarm message;
- 6.Cut off the optical power automatically when the working is abnormal;
- 7.Pre-settled the RS232 port for the monitoring status through remote computer;
- 8.With RF Test Port;

### Block Diagram



### Specification

#### RF Input

Frequency Range	45-750/860MHz
Flatness	+0.75dB
Input Return Loss	>16dB(45-860MHz)
Input Impedance	75 Ω
Attenuator Adjustment Range	(0~10dB)
Input Level Adjustment Range	75dB μV-80dB μV
Connector Type	F type
Power Supply	~220V(~100V~265V, 50Hz)

#### Link Specification

CNR	≥ 52dB
C/CSO(TYP)	≤ -62dB
C/CTB(TYP)	≤ -66dB

@ 59 channel PAL D Carrier; Maiwei Transmitter;  
-1dBm Optical power Receiving

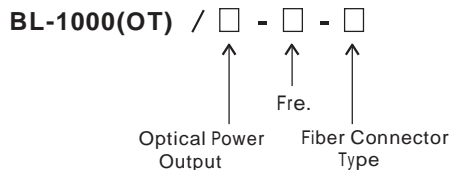
#### Optical Output

Optical Wavelength	1310 ±20nm
Optical Output Power	4、5..20mW (10Lg[mW]=[dBm])
Optical Fiber Type	Single Module (9/125 μm)
Fiber Connector Type	FC/APC or SC/APC

#### Circumstance

Storage Temperature	-10°C~+55°C
Operating Temperature	5°C~ 40°C
Weight	Max 5.6kg
Dimension	482mm×326mm×41mm

### Ordering Information



Optical Power Output	Frequency	Fiber Connector Type
4~20mW, grade 1mW	7:45-750MHz 8:45-860MHz	S:SC/APC F:FC/APC