



1 GHz CATV Trunk Line Directional Coupler, High Current Type



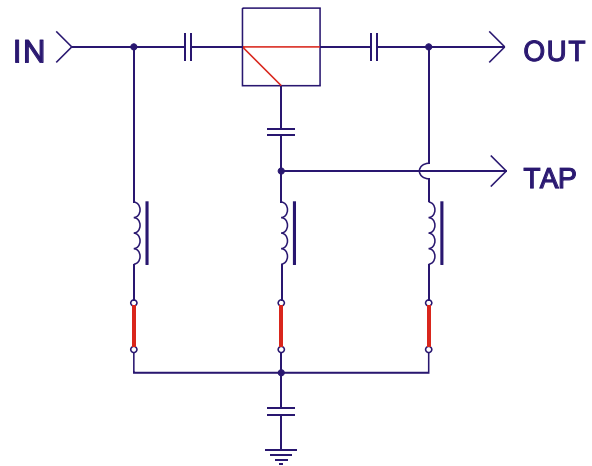
TDCG-8H : 1 GHz 8 dB  
Directional Coupler



TDCG-12H : 1 GHz 12 dB  
Directional Coupler



TDCG-16H : 1 GHz 16 dB  
Directional Coupler



TDCG-(8,12,16)H

**Features :**

- 5 ~ 1000 MHz broad band operation
- 15 A through current rating to support network powered telephony service
- Aluminum alloy 360 housing with chromate conversion coating and powder-coating
- Woven metallic gasket for RFI shielding requirement
- Full weather seal with strand clamp for outdoor applications
- All units are supplied with car fuses on all fuse seats
- Stainless cover screws and stainless wire holder & screw
- All input/ output connectors are 5/8" - 24UNEF female  
(M18 x P1 female for Japanese market is available)



## 1 GHz CATV Trunk Line Directional Coupler, High Current Type

### Specifications :

Insertion Loss * (dB max.)								
Model NO.	(MHz)	5 ~ 15	15 ~ 40	40 ~ 250	250 ~ 550	550 ~ 750	750 ~ 862	862 ~ 1000
<b>TDCG-8H</b>		1.3	1.1	1.5	1.5	2.0	2.4	2.6
<b>TDCG-12H</b>		0.7	0.7	1.0	1.3	1.3	1.7	1.9
<b>TDCG-16H</b>		0.6	0.6	0.8	1.0	1.3	1.7	1.7
Tap Loss ( 1.5 dB)								
Model NO.	(MHz)	5 ~ 15	15 ~ 40	40 ~ 250	250 ~ 550	550 ~ 750	750 ~ 862	862 ~ 1000
<b>TDCG-8H</b>		8.5	8.5	8.5	8.5	8.5	8.5	8.5
<b>TDCG-12H</b>		12	12	12	12	12	12	12
<b>TDCG-16H</b>		16	16	16	16	16	16	16
Out - Tap Isolation (dB min.)								
Model NO.	(MHz)	5 ~ 15	15 ~ 40	40 ~ 250	250 ~ 550	550 ~ 750	750 ~ 862	862 ~ 1000
<b>TDCG-8H</b>		18	28	28	25	21	18	18
<b>TDCG-12H</b>		19	23	25	25	20	18	18
<b>TDCG-16H</b>		21	25	30	25	20	20	20
Return Loss (dB min.)								
Model NO.	port, (MHz)	5 ~ 15	15 ~ 40	40 ~ 250	250 ~ 550	550 ~ 750	750 ~ 862	862 ~ 1000
<b>TDCG-8H</b>	In/ Out	16	16	16	16	16	16	16
	Tap	16	16	16	16	16	16	16
<b>TDCG-12H</b>	In/ Out	16	16	16	16	16	16	16
	Tap	16	16	16	16	16	16	16
<b>TDCG-16H</b>	In/ Out	16	16	16	16	16	16	16
	Tap	16	16	16	16	16	16	16
General Specifications								
Each Leg AC Current Capability				15 A				
Total AC Powering Capability				15 A				
HUM Modulation				-70 dBc avg. (@ 10A Power Passing)				
Waterproof Condition				15 PSI				
Surge Protection				1 KV 1.2/ 50us				
Screening (According to EN50083-2)				Class A				
Operating Temperature				-40 ~ +60				
Storage Temperature				-40 ~ +60				
Impedance				75 Ω				
Dimensions (with connectors)				145 x 125 x 75 mm				
Net Weight				600 g				

\* In mass production the specifications could be differed 0.5 dB tolerance.

Specifications are subject to change without notice.