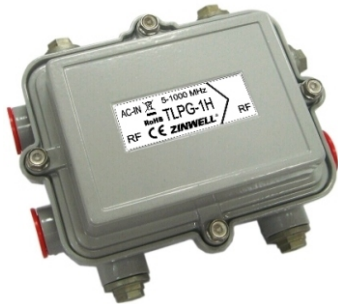
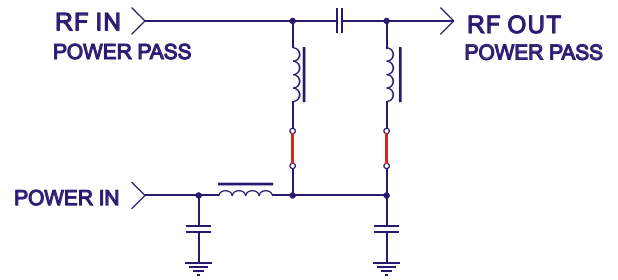




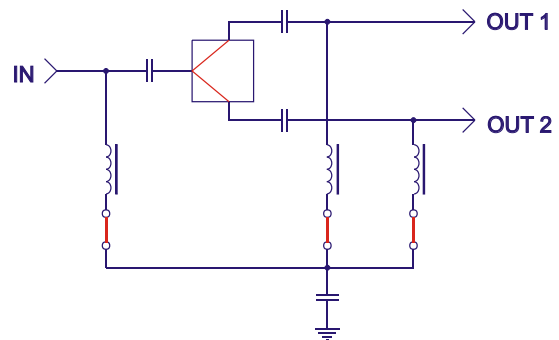
1 GHz CATV Trunk Line Splitter, Power Inserter, High Current Type



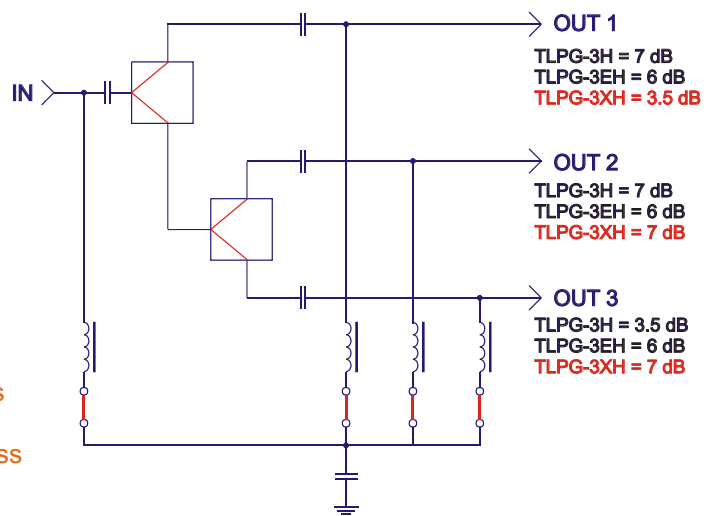
TLPG-1H : 1 GHz Power Inserter



TLPG-2H : 1 GHz 2-Way Splitter



TLPG-3H : 1 GHz 3-Way Splitter Unbalanced Loss  
 TLPG-3EH : Equal Loss  
 TLPG-3XH : 1 GHz 3-Way Splitter Unbalanced Loss  
 Output Position different to TLPG-3H



**Features :**

- 5 ~ 1000 MHz broad band operation
- 20/ 15 A through current rating to support network powered telephony service
- Aluminum alloy 360 housing with chromate conversion coating and powder-coating
- Woven metallic gasket for RFI shielding requirement
- Full weather seal with strand clamp for outdoor applications
- All units are supplied with car fuses on all fuse seats
- Stainless cover screws and stainless wire holder & screw
- All input/ output connectors are 5/8" - 24UNEF female (M18 x P1 female for Japanese market is available)



## 1 GHz CATV Trunk Line Splitter, Power Inserter, High Current Type

### Specifications :

Insertion Loss * (dB max.)								
Model NO.	port, (MHz)	5 ~ 15	15 ~ 40	40 ~ 250	250 ~ 550	550 ~ 750	750 ~ 862	862 ~ 1000
<b>TLPG-1H</b>	In - Out	0.3	0.3	0.4	0.4	0.5	0.8	0.8
<b>TLPG-2H</b>	In - Out	3.4	3.7	3.7	3.7	4.0	4.3	4.8
<b>TLPG-3H, 3XH</b>	In - Out (3.5 dB)	3.8	3.8	3.8	3.8	4.1	4.7	4.9
	In - Out (7 dB)	7.0	7.0	7.0	7.8	8.0	8.5	9.0
<b>TLPG-3EH</b>	In - Out	6.5	6.0	6.0	6.5	6.8	7.0	8.0
Isolation (dB min.)								
Model NO.	(MHz)	5 ~ 15	15 ~ 40	40 ~ 250	250 ~ 550	550 ~ 750	750 ~ 862	862 ~ 1000
<b>TLPG-1H</b>		75	60	60	60	60	50	50
<b>TLPG-2H</b>		18	25	25	21	21	20	18
<b>TLPG-3H, 3XH</b>		21	22	22	22	21	20	20
<b>TLPG-3EH</b>		18	22	22	22	21	20	20
Return Loss (dB min.)								
Model NO.	port, (MHz)	5 ~ 15	15 ~ 40	40 ~ 250	250 ~ 550	550 ~ 750	750 ~ 862	862 ~ 1000
<b>TLPG-1H</b>	In/ Out	17	18	18	16	16	16	16
<b>TLPG-2H</b>	In/ Out x 2	16	16	16	16	16	16	16
<b>TLPG-3H, 3XH</b>	In/ Out x 3	16	16	16	16	16	16	16
<b>TLPG-3EH</b>	In/ Out x 3	16	16	16	16	16	16	16
General Specifications								
Each Leg AC Current Capability				15 A				
Total AC Powering Capability				20 A (TLPG-1H), 15 A				
HUM Modulation				-70 dBc avg. (@ 10A Power Passing)				
Waterproof Condition				15 PSI				
Surge Protection				1 KV 1.2/ 50us				
Screening (According to EN50083-2)				Class A				
Operating Temperature				-40 ~ +60				
Storage Temperature				-40 ~ +60				
Impedance				75 Ω				
Dimensions (with connectors)				145 x 125 x 75 mm				
Net Weight				600 g				

\* In mass production the specifications could be differed 0.5 dB tolerance.

Specifications are subject to change without notice.